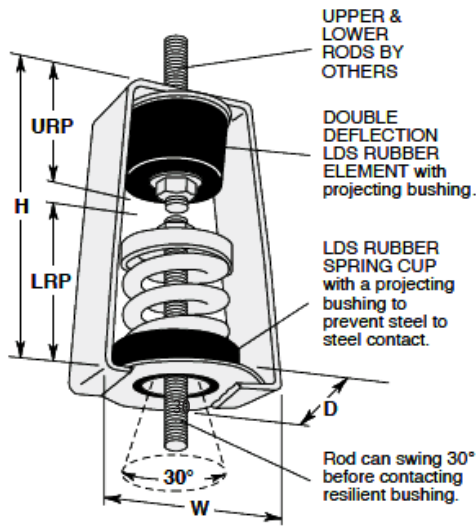


# 30N 30° Swing Hangers



## With Double Deflection Neoprene Element

**Type 30N Spring Hangers** - feature a lower rod that can swing up to 30° for ease in installation to compensate for misalignment. Spring and neoprene element in conjunction remove high and low frequency noise. High Deflection Spring Hangers provide far greater vibration control than the lower deflection neoprene hangers. Each powder coated steel spring is in series with a neoprene cup, providing excellent isolation efficiency. The 30N isolation hanger serves to isolate a broad range of disturbing vibration frequencies, while the rubber cup is a high frequency or noise break. All box type spring hangers are available precompressed from the factory with a scale for adjusting spring tension. They are similar to SLR restrained mounts in that they can be adjusted to limit vertical movement caused by weight changes during system start up, maintenance and seismic events. 30N isolation hangers are also available with eyebolts top and bottom.

LRP - Lower Rod Penetration  
URP - Upper Rod Penetration

### 30N 1" DEFLECTION 30° SWING, SPRING HANGERS\*

Type & Size	Rated Capacity	Rated Deflection	Mount Constant	Spring Color/Stripe	Dimensions					
					D	H	W	LRP	MRD	URP
30N-X-12	12 lbs	1.45"	10 lbs/in	Orange						
30N-X-23	23 lbs	1.50"	18 lbs/in	Brown						
30N-X-33	33 lbs	1.30"	30 lbs/in	Red						
30N-X-54	54 lbs	1.40"	45 lbs/in	White						
30N0-X-76	76 lbs	1.22"	73 lbs/in	Black	2-1/2"	5-1/2"	2-7/8"	3-1/4"	3/8"	1-3/4"
30N-X-113	113 lbs	1.20"	113 lbs/in	Yellow						
30N-X-130	130 lbs	1.20"	130 lbs/in	Purple						
30N-X-175	175 lbs	1.20"	175 lbs/in	Silver						
30N-X-210	210 lbs	1.20"	210 lbs/in	Blue						
30N-A-12	12 lbs	1.35"	12 lbs/in	Red						
30N-A-18	18 lbs	1.35"	18 lbs/in	Gray	2-3/4"	6-3/4"	3-1/4"	3-1/4"	5/8"	2-1/4"
30N-A-25	25 lbs	1.35"	25 lbs/in	Orange						
30N-A-41	41 lbs	1.53"	35 lbs/in	Pink						
30N-A-56	56 lbs	1.49"	49 lbs/in	Black						
30N-A-73	73 lbs	1.41"	69 lbs/in	Tan	2-3/4"	6-3/4"	3-1/4"	3-5/8"	5/8"	2-1/4"
30N-A-95	95 lbs	1.36"	94 lbs/in	Green						
30N-B-138	138 lbs	1.67"	105 lbs/in	White						
30N-B-222	222 lbs	1.51"	191 lbs/in	Blue						
30N-B-278	278 lbs	1.44"	255 lbs/in	Purple						
30N-B-336	336 lbs	1.35"	336 lbs/in	Silver	4"	6-3/4"	4-3/4"	3-3/4"	5/8"	2-1/4"
30N-B-410	410 lbs	1.42"	385 lbs/in	Black						
30N-B-540	540 lbs	1.35"	540 lbs/in	Yellow						

3/4" Minimum Deflection\*



**ACOUSTICAL SURFACES, INC.**

*Celebrating Over 40 Years - SOUNDPROOFING, ACOUSTICS, NOISE & VIBRATION SPECIALISTS!*

952.448.5300 | 800.448.0121 | sales@acousticalsurfaces.com | www.acousticalsurfaces.com