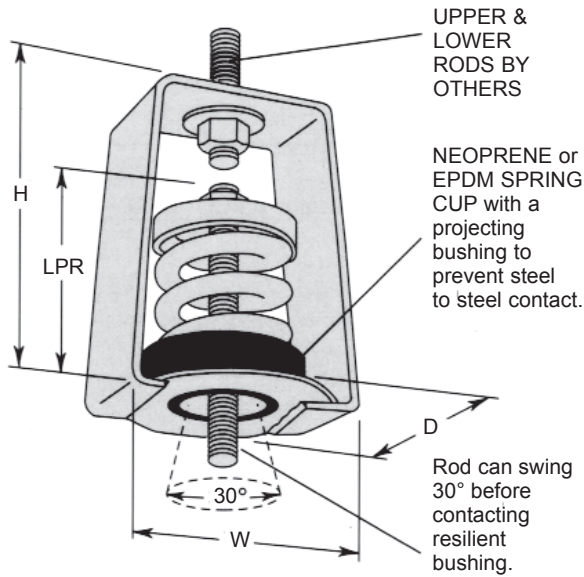


30° Swing Hangers



High Deflection Spring Vibration Isolation Hangers provide far greater vibration control than the lower deflection neoprene hangers. Each powder coated steel spring is in series with a neoprene cup, providing excellent isolation efficiency. The anti-vibration isolator spring serves to isolate a broad range of disturbing vibration frequencies, while the rubber cup is a high frequency or noise break.

All box type spring vibration isolation hangers are available precompressed from the factory with a scale for adjusting spring tension. These anti-vibration isolators are similar to SLR restrained mounts in that they can be adjusted to limit vertical movement caused by weight changes during system start up, maintenance and seismic events. Spring Hangers are also available with eyebolts top and bottom.

Type 30 Spring Hangers feature a lower rod that can swing up to 30° for ease in installation to compensate for misalignment.

LRP - Lower Rod Penetration
MRD - Maximum Rod Dia.

30 1" DEFLECTION 30° SWING, SPRING HANGERS*

Type & Size	Rated Capacity	Rated Deflection	Mount Constant	Spring Color/Stripe	Dimensions				
					D	H	W	LRP	MRD
30-X-12	12 lbs	1.25"	10 lbs/in	Orange	2-1/2"	4-1/4"	2-7/8"	3-1/2"	3/8"
30-X-23	23 lbs	1.30"	18 lbs/in	Brown					
30-X-33	33 lbs	1.10"	30 lbs/in	Red					
30-X-54	54 lbs	1.20"	45 lbs/in	White					
30-X-76	76 lbs	1.02"	73 lbs/in	Black					
30-X-113	113 lbs	1.00"	113 lbs/in	Yellow					
30-X-130	130 lbs	1.00"	130 lbs/in	Purple					
30-X-175	175 lbs	1.00"	175 lbs/in	Silver					
30-X-210	210 lbs	1.00"	210 lbs/in	Blue					
30-A-12	12 lbs	1.00"	12 lbs/in	Red					
30-A-18	18 lbs	1.00"	18 lbs/in	Gray					
30-A-25	25 lbs	1.00"	25 lbs/in	Orange					
30-A-41	41 lbs	1.18"	35 lbs/in	Pink	2-3/4"	5-3/4"	3-3/4"	4"	5/8"
30-A-56	56 lbs	1.14"	49 lbs/in	Black					
30-A-73	73 lbs	1.06"	69 lbs/in	Tan					
30-A-95	95 lbs	1.01"	94 lbs/in	Green					
30-B-138	138 lbs	1.32"	105 lbs/in	White	4"	7-1/4"	4-3/4"	4-1/4"	5/8"
30-B-222	222 lbs	1.16"	191 lbs/in	Blue					
30-B-278	278 lbs	1.09"	255 lbs/in	Purple					
30-B-336	336 lbs	1.00"	336 lbs/in	Silver					
30-B-410	410 lbs	1.07"	385 lbs/in	Black					
30-B-540	540 lbs	1.00"	540 lbs/in	Yellow					

3/4" Minimum Deflection*



ACOUSTICAL | SURFACES, INC.

Celebrating Over 40 Years - SOUNDPROOFING, ACOUSTICS, NOISE & VIBRATION SPECIALISTS!

952.448.5300 | 800.448.0121 | sales@acousticalsurfaces.com | www.acousticalsurfaces.com