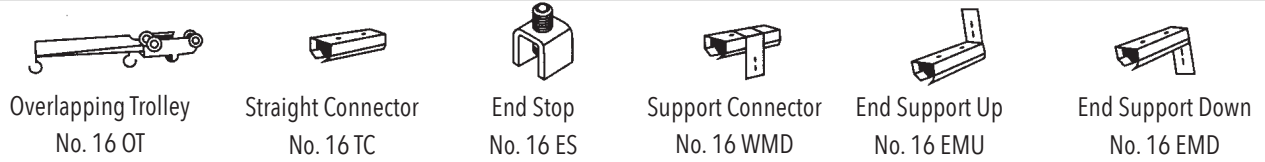


Curtain S.T.O.P.

Enclosure Support Hardware

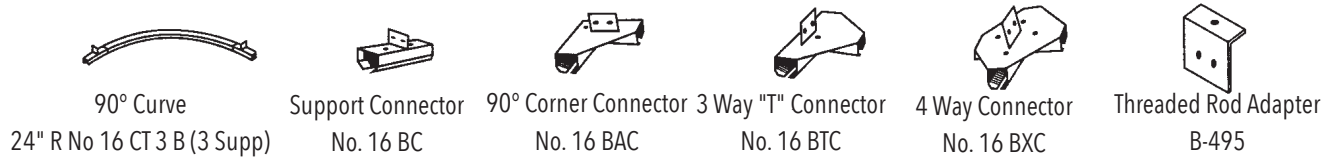
COMPONENTS



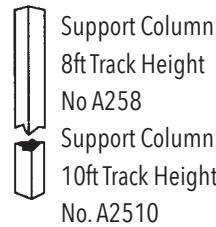
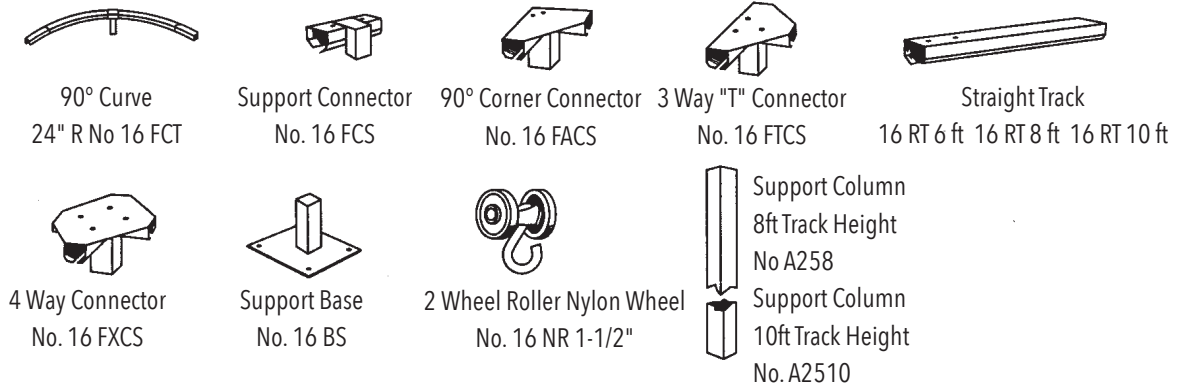
CEILING MOUNTED



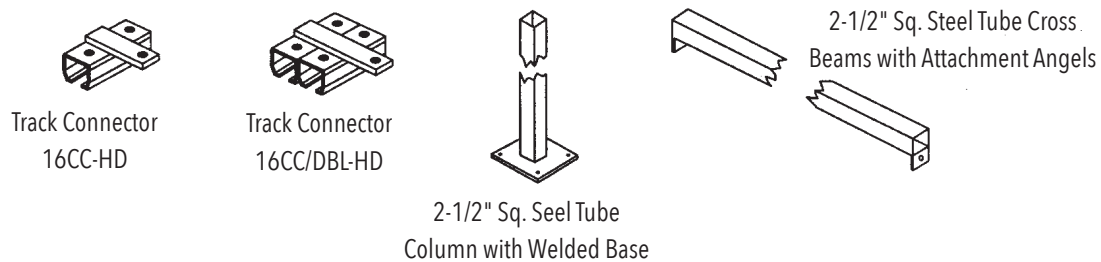
SUSPENSION OR BEAM MOUNTED



FLOOR MOUNTED

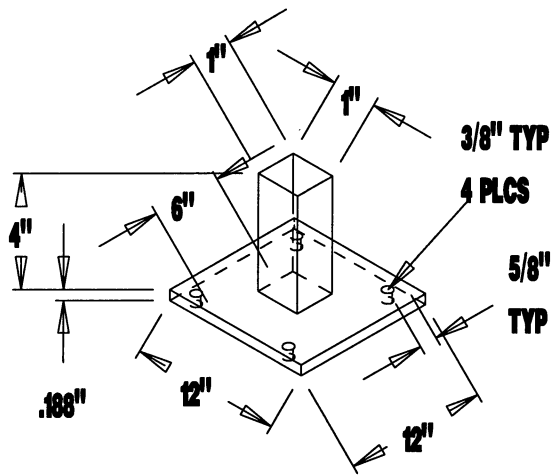


H-D HEAVY DUTY

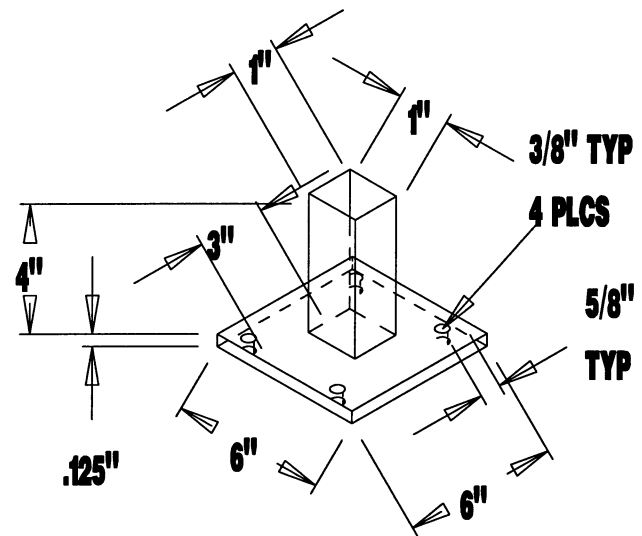


ACOUSTICAL SURFACES, INC.

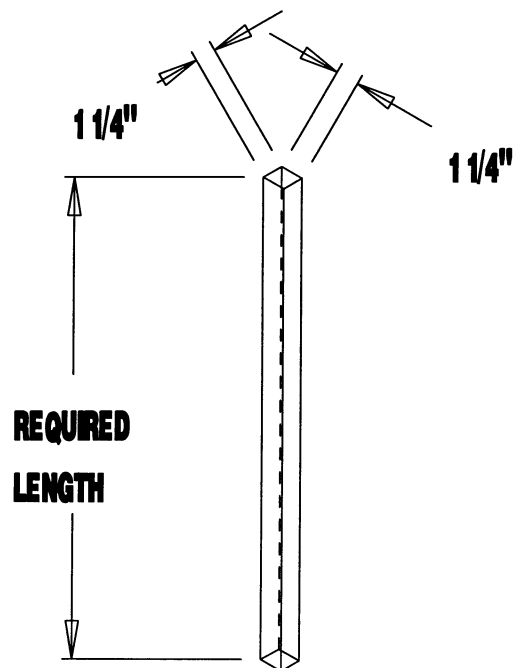
Celebrating Over 40 Years - SOUNDPROOFING, ACOUSTICS, NOISE & VIBRATION SPECIALISTS!
 952.448.5300 | 800.448.0121 | sales@acousticalsurfaces.com | www.acousticalsurfaces.com



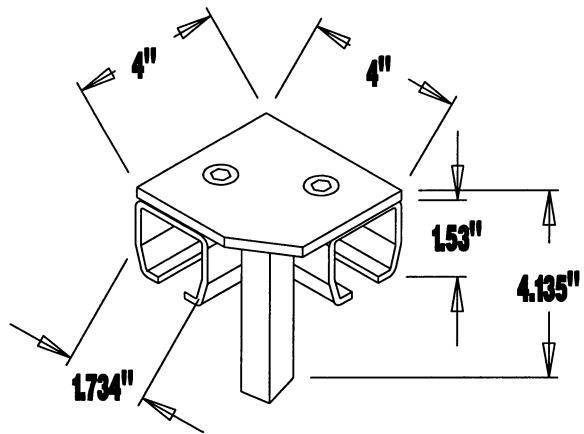
16 BS-12"



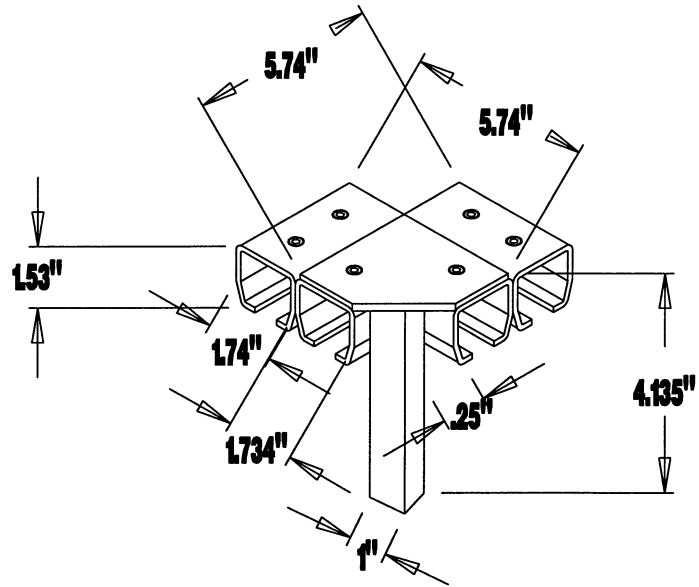
16 BS-6"



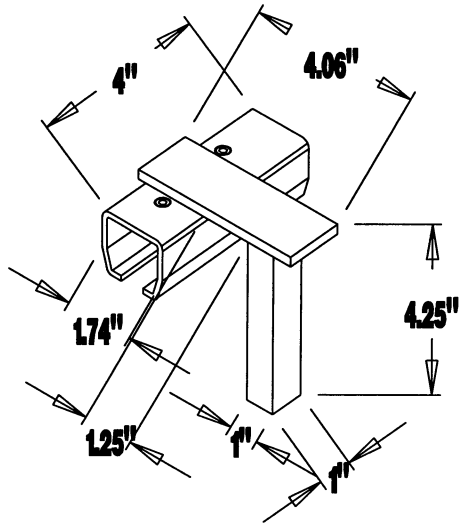
A-256



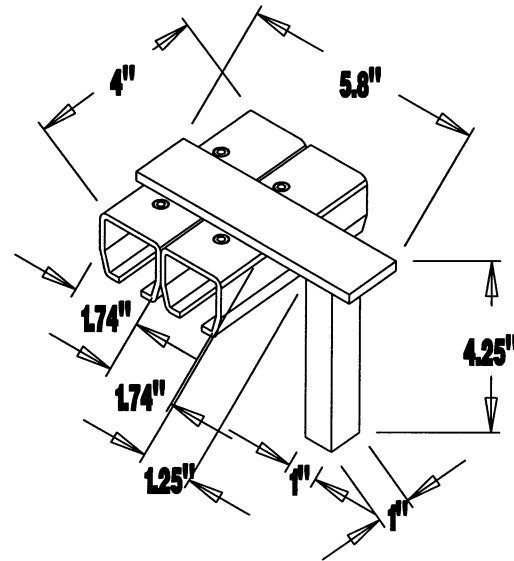
16 FACS



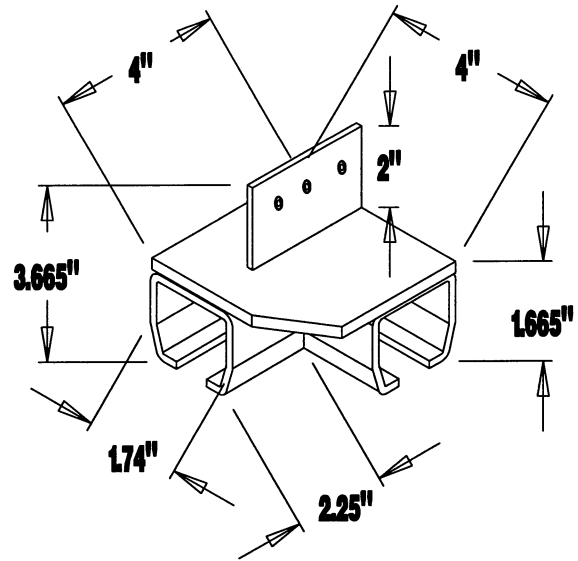
16 FACS-1/DBL



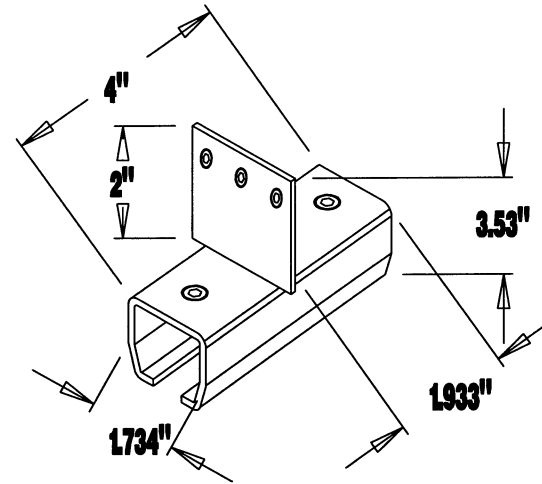
16 FCS



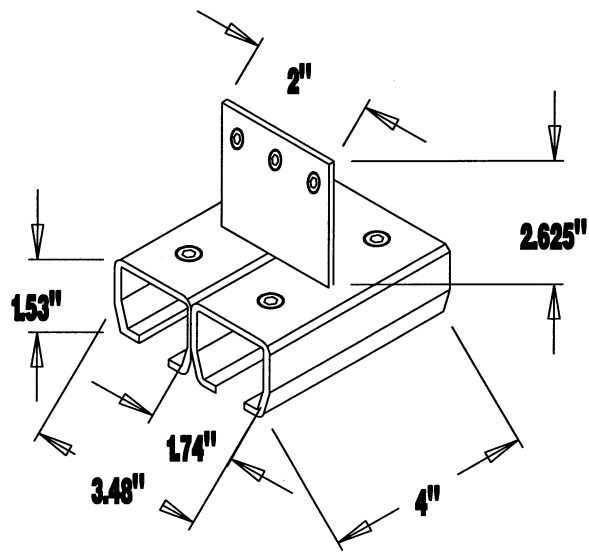
16 FCS/DBL



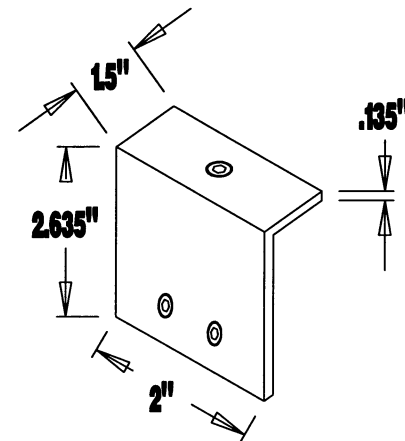
16 BAC



16 BC

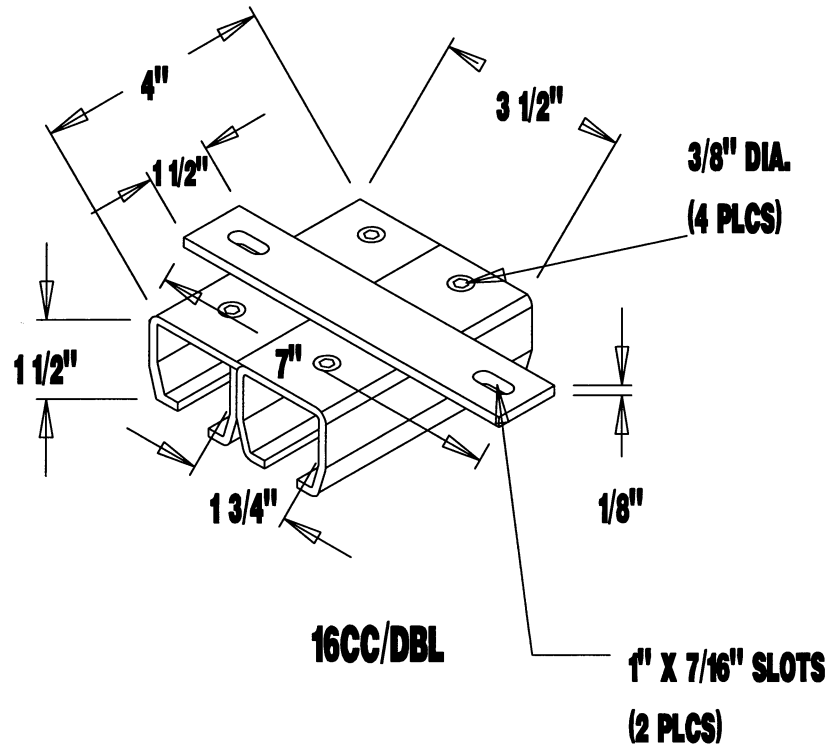
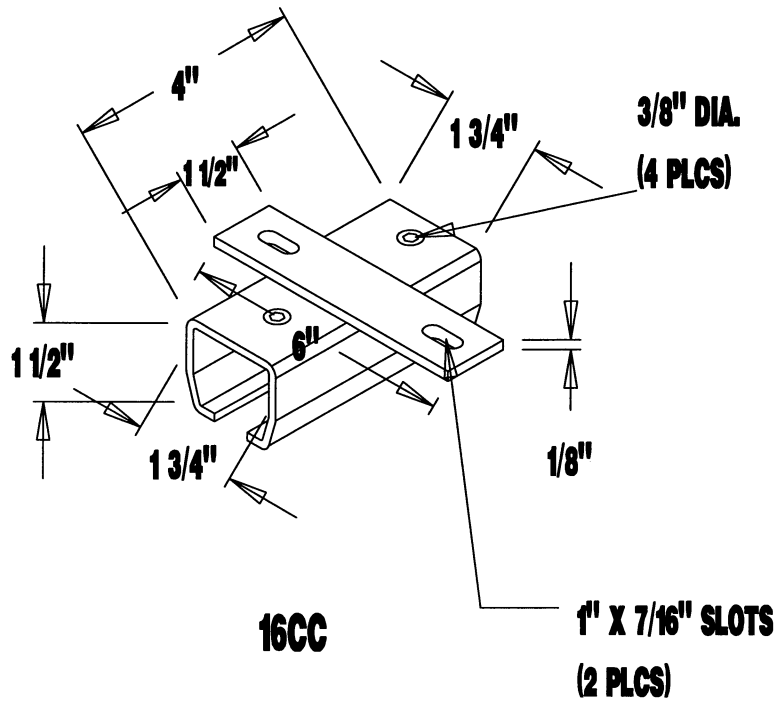
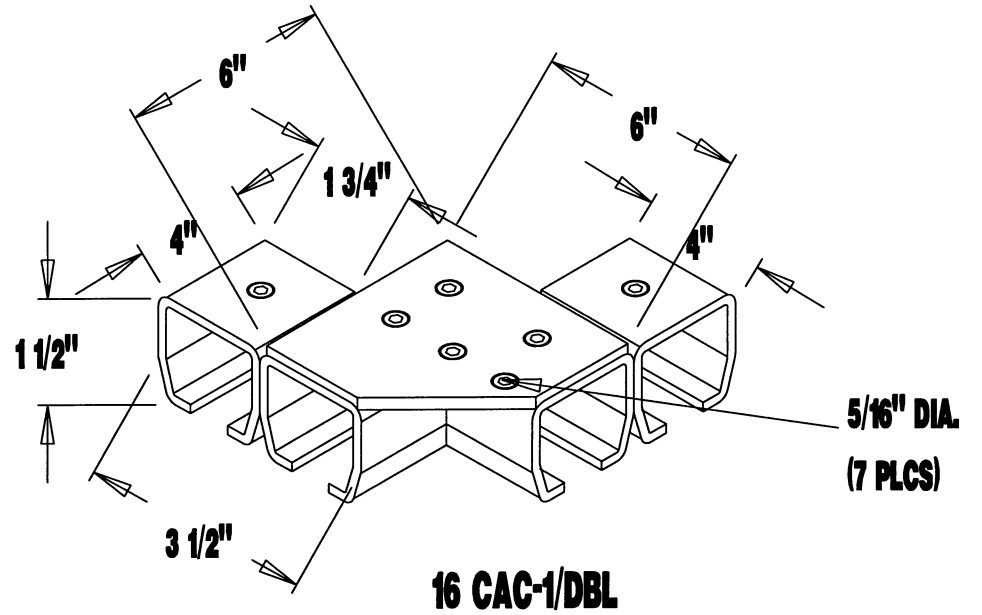
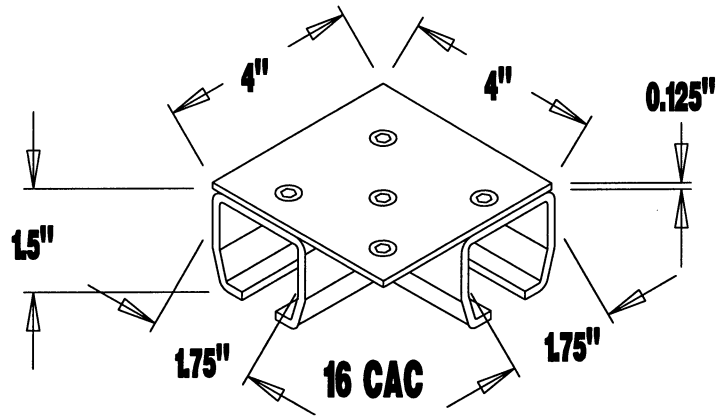


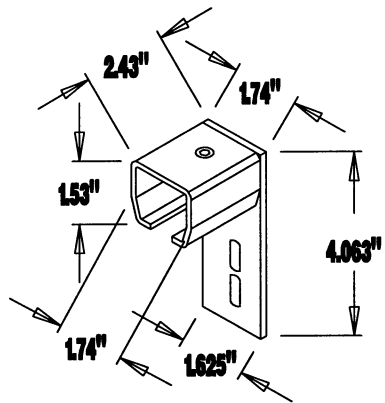
16BC/DBL



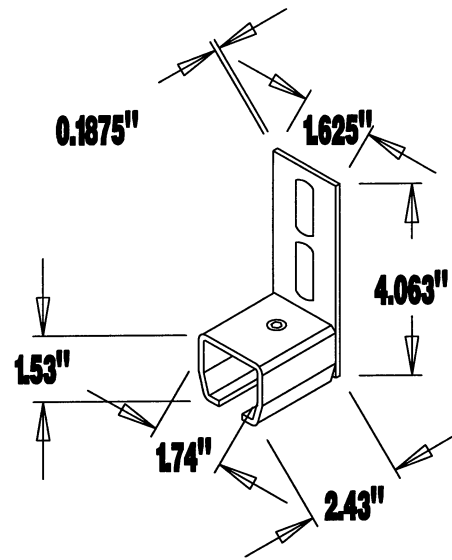
B-495

THREADED ROD ADAPTER

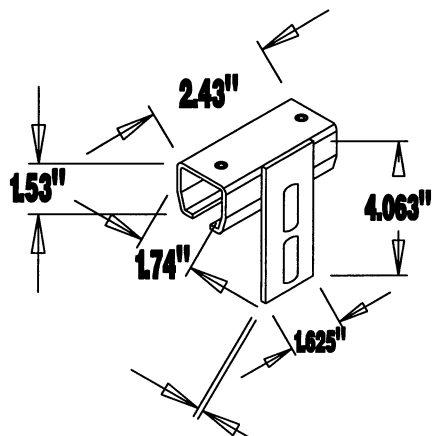




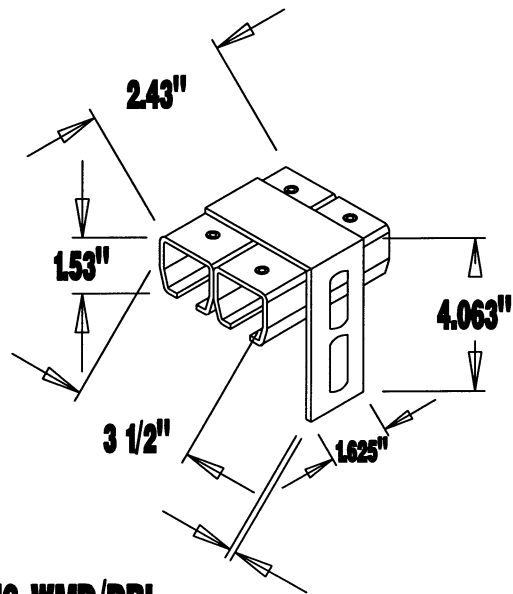
16EMD



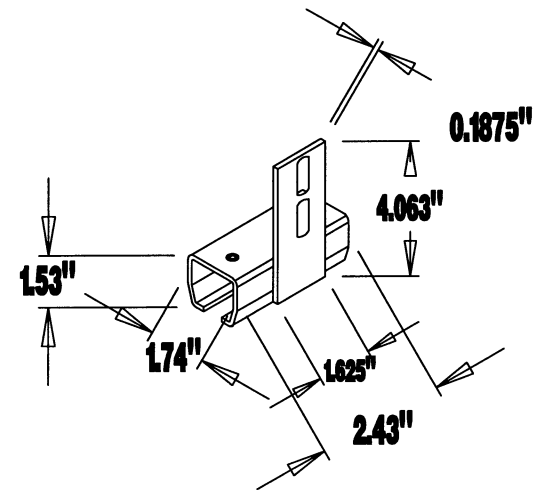
16 EMU



16 WMD 0.1875"

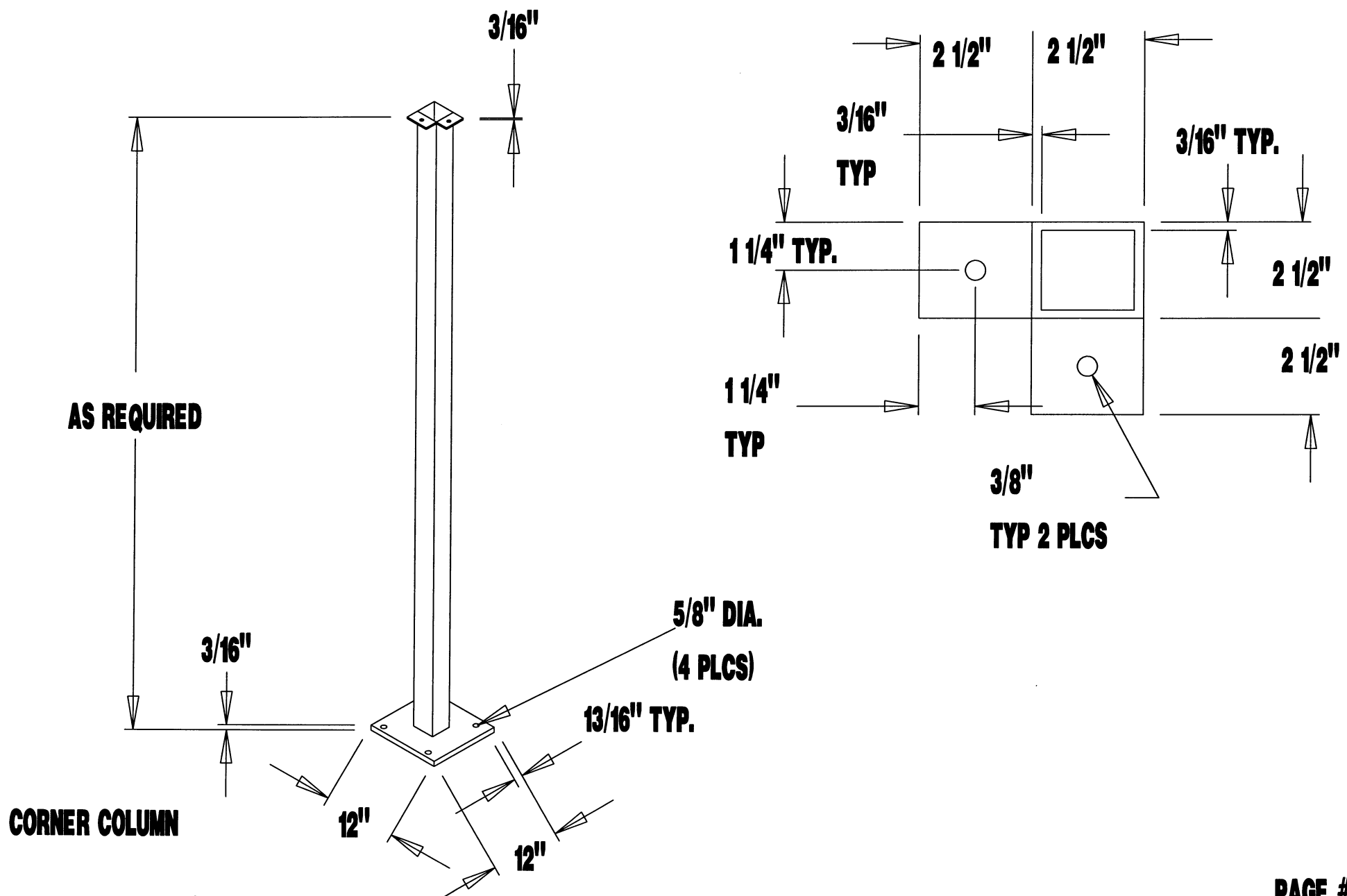


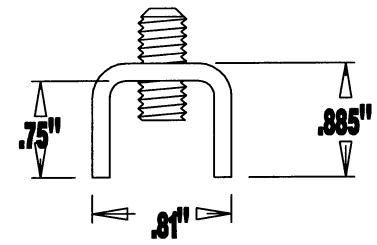
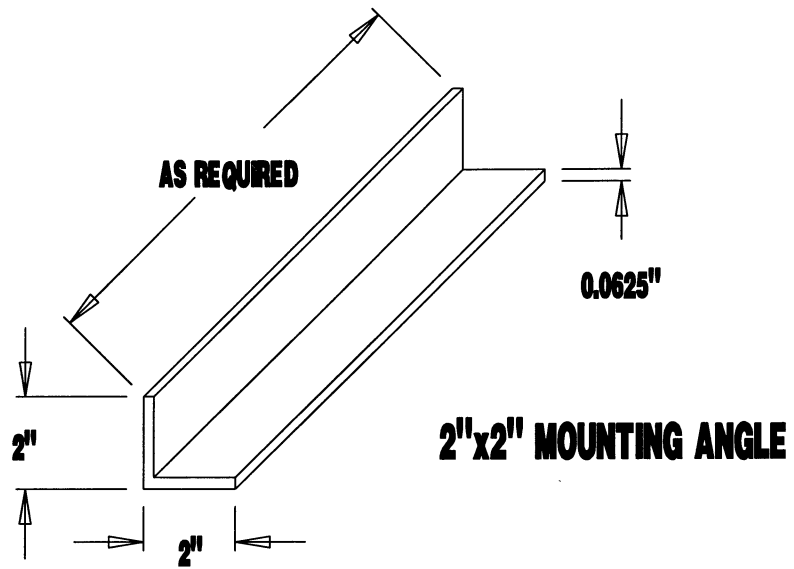
16 WMD/DBL 0.1875"



16 WMU

DETAIL
TOP VIEW
OF COLUMN ONLY





16 ES

