



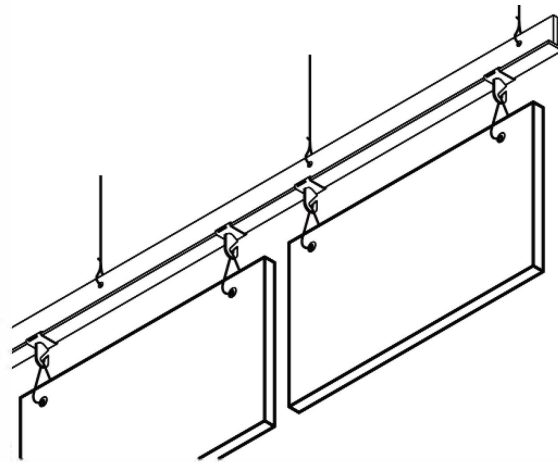
STOP NOISE

ACOUSTICAL

SURFACES INC.

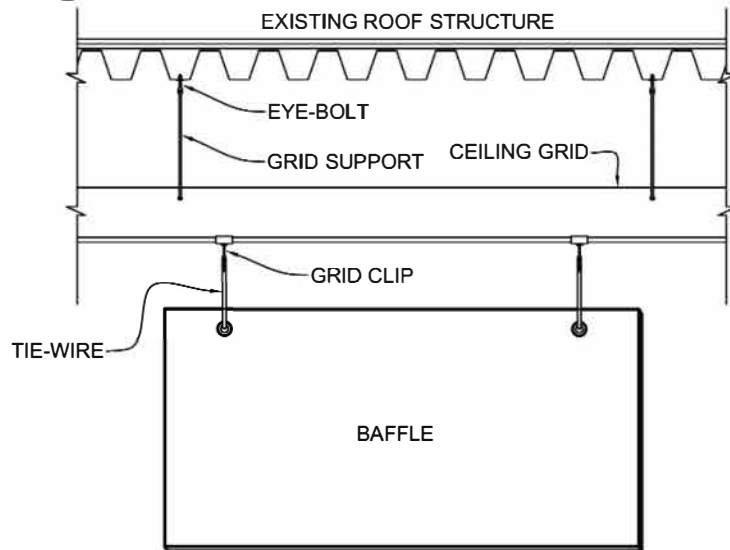
Sound Solutions for Over 40 Years

Soundproofing | Acoustics | Noise & Vibration Control



VIEW FROM BELOW

SCALE: NA



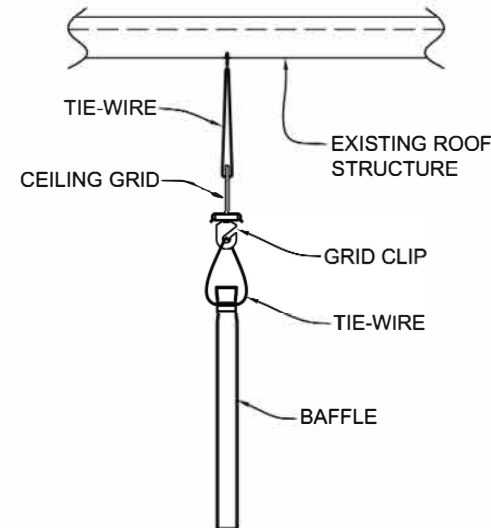
SIDE ELEVATION

SCALE: NA

NOTES:

1) USING MBI FIXED OR SWIVEL GRID CLIPS, BAFFLES CAN BE ATTACHED TO CEILING GRID.

2) TIE-WIRE TO BE SNUGGED UP TIGHT SO TO PREVENT SLIPPAGE.



SIDE ELEVATION

SCALE: NA