



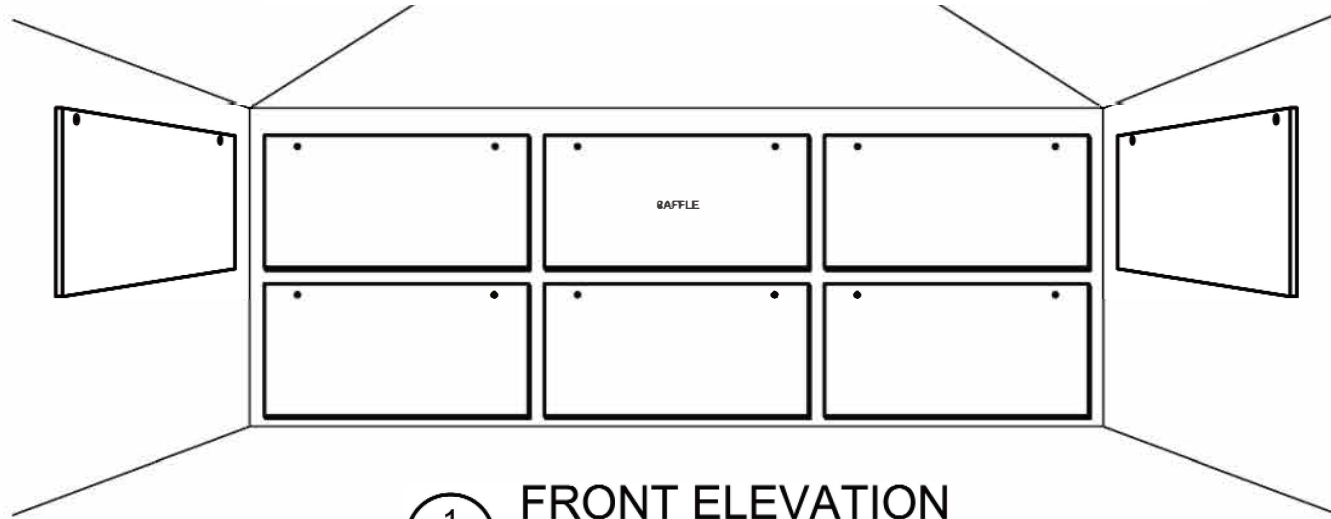
**STOP NOISE**

**ACOUSTICAL**

Sound Solutions for Over 40 Years

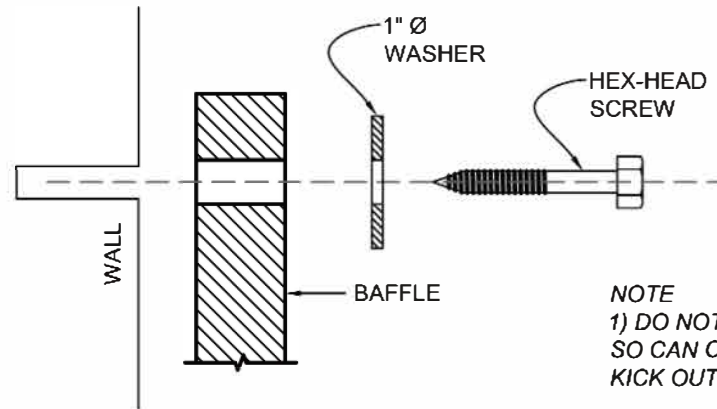
**SURFACES INC.**

Soundproofing | Acoustics | Noise & Vibration Control



## FRONT ELEVATION

SCALE: NA



**NOTE**  
1) DO NOT OVER TIGHTEN HARDWARE. DOING SO CAN CAUSE BOTTOM OF PANEL TO KICK OUT.



## ATTACHMENT DETAIL

SCALE: NA