



STOP NOISE

ACOUSTICAL

Sound Solutions for Over 40 Years

SURFACES INC.

Soundproofing | Acoustics | Noise & Vibration Control

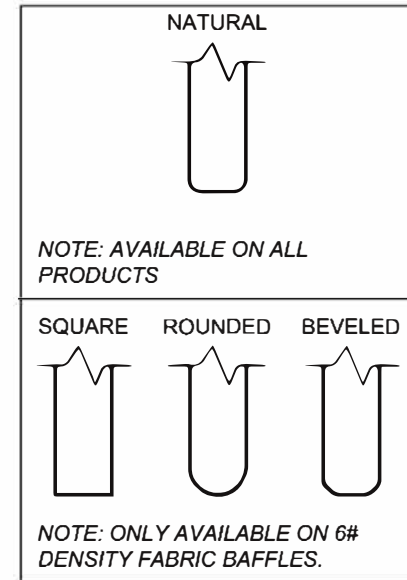
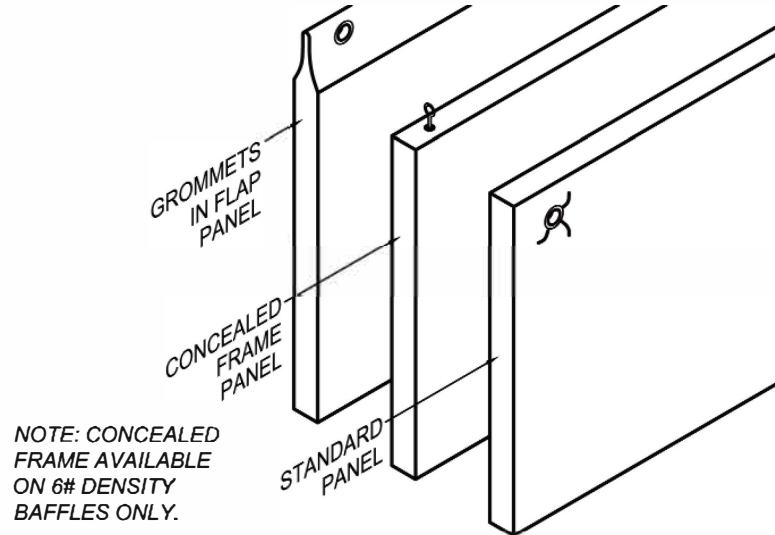


NOTE: 1" GROMMETS MAY BE EITHER CADMIUM COATED OR NICKEL PLATED.



SUSPENSION PROVISION DETAIL

SCALE: NA



EDGE CONSTRUCTION DETAIL

SCALE: NA



EDGE DETAILS

SCALE: NA

GENERAL NOTES:

- 1) STORE PRODUCTS IN A COOL, DRY, AND TEMPERATURE CONTROLLED INTERIOR LOCATION NOT LESS THAN 50°F PRIOR TO, DURING, AND AFTER INSTALLATION.
- 2) STORE PRODUCTS OUT OF DIRECT UV SUNLIGHT.
- 3) STORE AND PROTECT PRODUCTS FROM THE ELEMENTS AND FROM DAMAGE.
- 4) SAILCLOTH IS NOT RECOMMENDED FOR HIGH HUMIDITY OR HIGH U.V. AREAS.
- 5) SUSPENSION HARDWARE IS NOT TO BE PRE-INSTALLED.
- 6) SOME WRINKLING AND PUCKERING, DUE TO THE NATURE OF THESE PRODUCTS, IS COMMON AND UNAVOIDABLE.
- 7) BAFFLES ARE CONSTRUCTED FROM FIBERGLASS WITH A SOFT AND FLEXIBLE CORE. GROMMET LOCATIONS MAY VARY.
- 8) DO NOT SUBJECT ACOUSTICAL PRODUCTS TO CRITICAL EDGE LIGHTING WITHOUT FIRST CONSULTING MANUFACTURER.