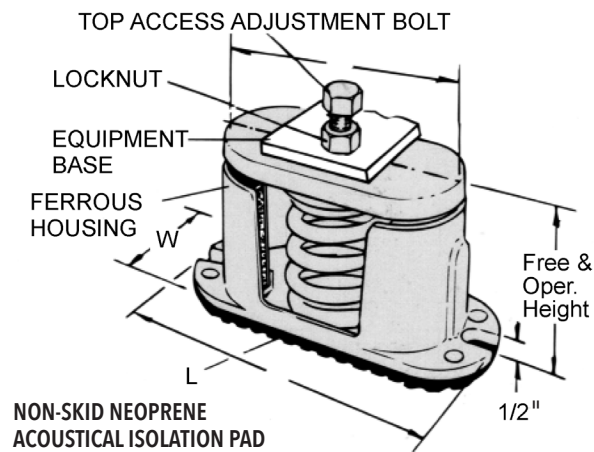
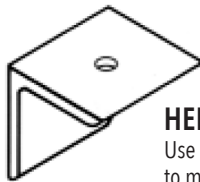


# C, CIP & CIW Housed Spring Mounts

## C - HOUSED SPRING MOUNTS



**NON-SKID NEOPRENE ACOUSTICAL ISOLATION PAD**  
(Bolting to floor is not necessary on indoor applications).



**HEIGHT SAVING BRACKET**  
Use when equipment cannot be raised to mount's free & operating height.

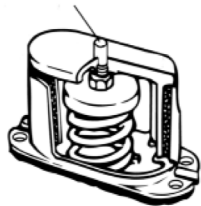
**C Housed Spring Isolator Mounts** - may be used on outdoor applications. These vibration isolation spring mounts have lateral stability and are recommended for moderate horizontal wind loads without seismic restraint requirements.

"C" one inch minimum deflection spring isolator mounts provide greater vibration control than the lower deflection neoprene mounts. These vibration isolation spring mounts function the same as SLF mounts but have semi-circular neoprene sponge inserts that limit movement due to start and stop and horizontal wind load. These spring isolator mounts prevent contact between the projections of the upper and lower semi-circular casting. C spring vibration isolation spring mounts are recommended for all air-conditioning applications, under compressors, air handling units, centrifugal fans and most other constant frequency vibration problems.

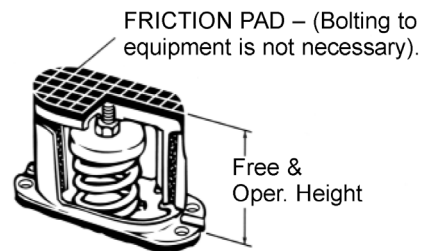
"C" two inch deflection spring isolator mounts are for use on equipment located on wide upper level building spans and roofs where more than one inch of deflection is needed to cancel the effect of the building spans deflection.

## CIP - HOUSE SPRING MOUNTS WITH INTERNAL ADJUSTMENT

Dowell Pin is 3/8" dia. for CIP-A & 1/2" for B & B2.



## CIW - HOUSE SPRING MOUNTS WITH INTERNAL ADJUSTMENT & W PAD



**ACOUSTICAL | SURFACES, INC.**

*Celebrating Over 40 Years - SOUNDPROOFING, ACOUSTICS, NOISE & VIBRATION SPECIALISTS!*

952.448.5300 | 800.448.0121 | sales@acousticalsurfaces.com | www.acousticalsurfaces.com

# C, CIP & CIW Housed Spring Mounts

## C 1" DEFLECTION SPRING MOUNTS\*

Type & Size	Rated Capacity	Rated Deflection	Mount Constant	Spring Color/Stripe	Dimensions			Free & Oper. Height
					A	L	W	
C-A-45	45 lbs	1.60"	28 lbs/in	Blue	4"	5-3/4"	2-1/8"	4-1/2"
C-A-75	75 lbs	1.50"	50 lbs/in	Orange				
C-A-125	125 lbs	1.33"	94 lbs/in	Brown				
C-A-200	200 lbs	1.15"	174 lbs/in	Black				
C-A-310	310 lbs	1.00"	310 lbs/in	Yellow				
C-A-400	400 lbs	1.00"	400 lbs/in	Green				
C-A-510	510 lbs	1.00"	510 lbs/in	Red	4"	5-3/4"	2-1/8"	4-1/2"
C-A-625	625 lbs	1.00"	625 lbs/in	White				

3/4" Minimum Deflection\*

## C 2" DEFLECTION SPRING MOUNTS\*

Type & Size	Rated Capacity	Rated Deflection	Mount Constant	Spring Color/Stripe	Dimensions			Free & Oper. Height
					A	L	W	
C-B-20	20 lbs	2.40"	8 lbs/in	Tan	5-3/4"	8-1/4"	2-3/4"	5-3/4"
C-B-26	26 lbs	2.18"	12 lbs/in	White/Blue				
C-B-35	35 lbs	2.20"	16 lbs/in	Purple				
C-B-50	50 lbs	2.20"	24 lbs/in	White/Red				
C-B-65	65 lbs	2.10"	31 lbs/in	Brown				
C-B-85	85 lbs	2.10"	40 lbs/in	White/Black				
C-B-115	115 lbs	2.00"	57 lbs/in	Silver				
C-B-150	150 lbs	2.00"	75 lbs/in	Orange				
C-B2-210	210 lbs	2.12"	99 lbs/in	Silver				
C-B2-290	290 lbs	2.00"	144 lbs/in	Blue				
C-B2-450	450 lbs	2.00"	224 lbs/in	Tan				

1-1/2" Minimum Deflection\*



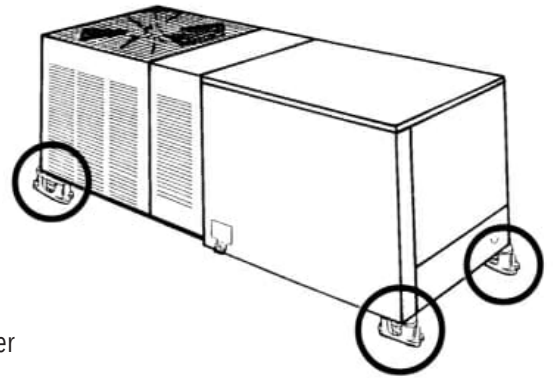
**ACOUSTICAL | SURFACES, INC.**

PAGE 2

*Celebrating Over 40 Years - SOUNDPROOFING, ACOUSTICS, NOISE & VIBRATION SPECIALISTS!*

952.448.5300 | 800.448.0121 | sales@acousticalsurfaces.com | www.acousticalsurfaces.com

# C, CIP & CIW Housed Spring Mounts



## INSTALLATION

Supporting surfaces must be flat and level under vibration isolation spring mounts.

Relative elevations must be held to 1/2" from the highest to the lowest position.

Grout or provide full spacers to compensate for larger differences.

1. When equipment is mounted directly to Type "C" Mounts, place mountings under equipment bolt holes and install the mounting adjustment bolts as shown.
  - 1a. When equipment is installed directly to Type "CI", "CIP" or "CIW" Mounts, place mounting under the equipment holes or in the proper position.
  - 1b. When vibration isolation spring mounts are installed under steel base mounting brackets, block the base at the proper elevation as shown on the drawing before installing mounts.
2. Take 2 complete downward (clockwise) turns on adjustment bolt or internal adjustment nut of all spring isolator mounts. Repeat this procedure as many times as necessary until clearance "A" is a minimum of 1/4" for direct mounting or equipment lifts off blocks.
3. Level equipment by taking additional turns on low side or corner.
4. On Type "C" Mounts, Tighten lock nut against equipment base.

All springs have additional travel to solid equal to 50% of the rated deflection except C-B2-450, which has minimum 38% at rated capacity.



**ACOUSTICAL | SURFACES, INC.**

*Celebrating Over 40 Years - SOUNDPROOFING, ACOUSTICS, NOISE & VIBRATION SPECIALISTS!*  
952.448.5300 | 800.448.0121 | [sales@acousticalsurfaces.com](mailto:sales@acousticalsurfaces.com) | [www.acousticalsurfaces.com](http://www.acousticalsurfaces.com)

PAGE 3