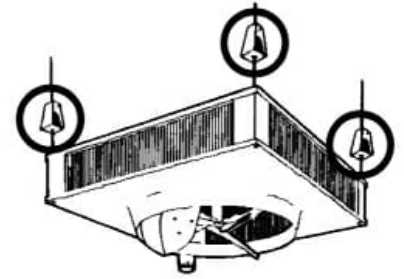
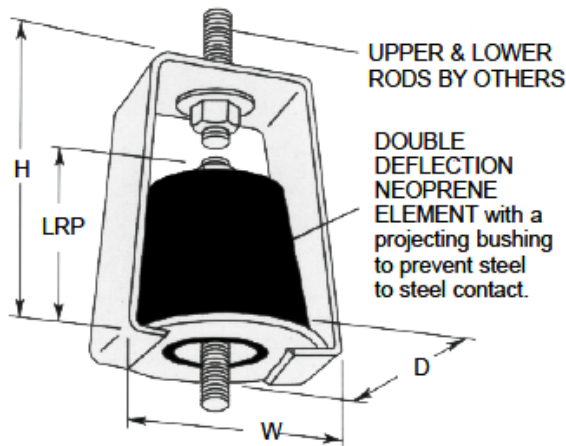


HD Double Deflection Neoprene Hangers

HD Neoprene Hangers - offer the same increase static deflection and vibration control as ND mounts but in a sturdy steel hanger box.



WHD - All box type spring hangers are available with eyebolts top and bottom and precompressed from the factory.

HD hangers perform the best when used on equipment located adjacent to stiff support walls and columns, and suspended from narrow rigid upper building spans.

HD HANGER INSTALLATION

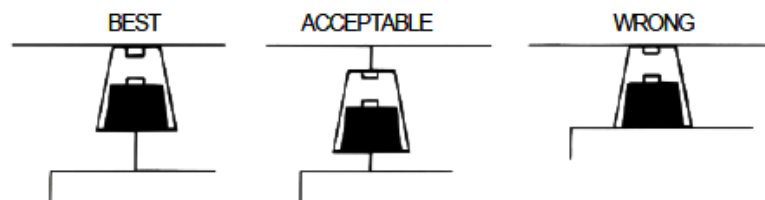
Install spring isolation hanger with gap on underside as shown. This allows the isolators to operate efficiently. The gaps also compensate for minor misalignment. Direct contact of the unit and hanger box "short circuits" the isolation.

When suspending equipment from very wide vibration sensitive spans it may be necessary to select spring hangers with even higher deflections in order to cancel the effects of the span's own deflection or "sag". The spring isolation hanger selected must have a static deflection at least three times greater than the spans deflection to insure minimum effective vibration control.

LRP - Lower Rod Penetration
MRD - Maximum Rod Dia.

HD NEOPRENE HANGERS

Type & Size (Color Mark)	Durometer	Rated Capacity Range	Max Rated Deflection	Dimensions				
				D	H	W	LRP	MRD
HD-Green	40	Up to 35 lbs	0.20"	1-3/4"	2-1/4"	1-7/8"	1-1/4"	3/8"
HD-White	60	35-75 lbs	0.20"					
HD-A-Black	30	Up to 45 lbs	0.35"					
HD-A-Green	40	30-75 lbs	0.35"	2"	2-3/4"	2-1/4"	2-1/4"	1/2"
HD-A-Red	50	60-125 lbs	0.35"					
HD-B-Red	50	Up to 235 lbs	0.40"					
HD-B-White	60	180-380 lbs	0.40"	3-3/4"	4-1/2"	4-1/4"	3"	3/4"
HD-B-Yellow	70	320-625 lbs	0.40"					



ACOUSTICAL | SURFACES, INC.

Celebrating Over 40 Years - SOUNDPROOFING, ACOUSTICS, NOISE & VIBRATION SPECIALISTS!

952.448.5300 | 800.448.0121 | sales@acousticalsurfaces.com | www.acousticalsurfaces.com