

Acoustical Panel Impaling Clips Wall Installation

ATTENTION: If you have additional questions after reviewal of this manual please contact your local ASI representative or an ASI professional at our headquarters (952)448-5300

ASI MANUFACTURES DECORATIVE ACOUSTICAL PANELS AND PRODUCTS THAT MUST BE HANDLED WITH CARE. PRODUCTS SHOULD ONLY BE INSTALLED BY EXPERIENCED INSTALLERS.

RECEIVING

Prior to unpacking, check package for any obvious shipping damage. If no evidence of damage is present, move package to a dry/controlled area and inspect it for dents, breakage, or any lesser-noticeable damage that may affect enclosed panels. If damage has been identified, record it/photograph it, and open to inspect for concealed damage. If damage was transferred to the product, document/photograph the issues.

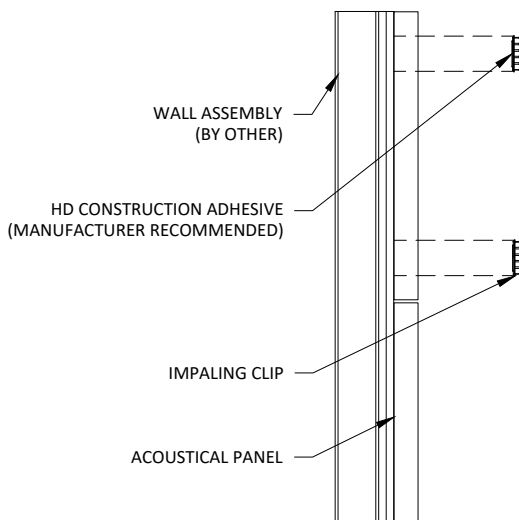
TOOLS

Required:

- Impaling clips (supplied)
- Mechanical or Adhesive fastener (options listed below)

Optional:

- Screws (2 per clip)
- Toggle anchors
- Nails
- Liquid Nails
- Construction adhesive (manufacturer recommended)

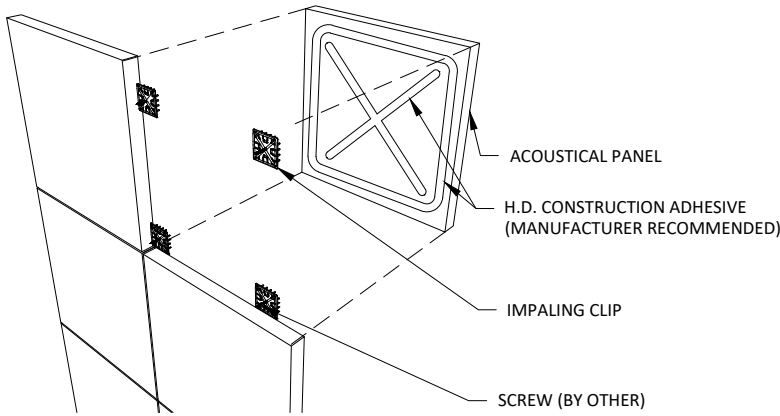
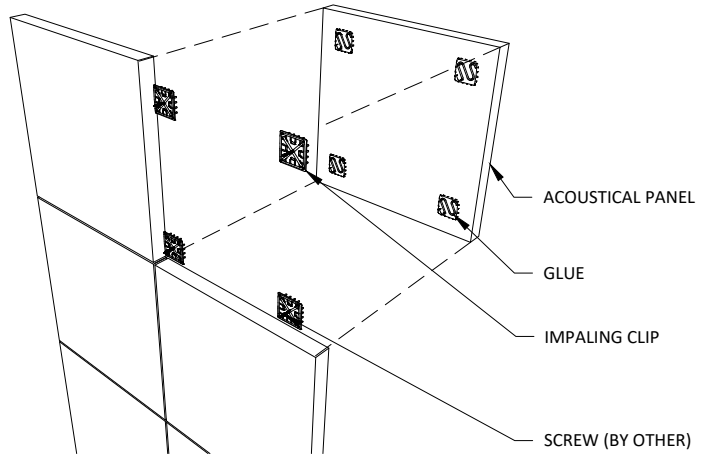


INSTALLATION

Layout panel locations. Inspect mounting surface to ensure suitability for panel mounting.

Impaling clips should be applied with long dimension vertical. Secure impaling clips to wall using (2) screws per clip, toggle anchors, nails, Liquid Nails, or Construction Adhesive. If using adhesive make sure clips have good adhesive bond to wall. Apply adhesive to clip and smear over entire clip in sufficient thickness to make good contact with the wall. Amount should not be so thick that it oozes through holes in clip, which would impede panel mounting.

To locate glue positions on back of wall panel partially impale panel on clips to create position marks. Align panel on wall plumb and square. Apply Elmers white glue to back of acoustical panel at impaling clip locations. Use putty knife to smear glue into acoustical panel. Press acoustical panels onto impaling clips, firmly at each impaling clip location. Use a clean piece of plywood as a push board to distribute pressure on clip. Do not pull panel back as this will loosen the holding power of the clips. After panel has been impaled onto clips the white glue will cure and lock panel onto clips.



If panels have to be removed, remove old clips and relocate new clips in a different location and repeat installation steps.

If impaling clips are used in conjunction with adhesive — fewer clips can be used. Apply adhesive in a random pattern to back of panel. Press panel firmly on clips and on wall for adhesive to make a good contact.

If such panels have to be removed, removal will result in a thin layer of acoustical adhering to the clips on the wall. Upon replacement of panels in another location locate impaling clips in 2 different locations on panel.

NOTE: Acoustical panels rarely have to be removed and relocated as they are normally used to adjust the room acoustics in the room in which they are applied. Panels that are installed as a permanent application are best installed with impaling clips and/or adhesive as a cost effective application.

SPECIAL HANDLING INSTRUCTIONS

When handling product, care must be taken to not damage face of the panel. Handle all edges with care. To avoid damage, do not twist or bow the panels during installation.