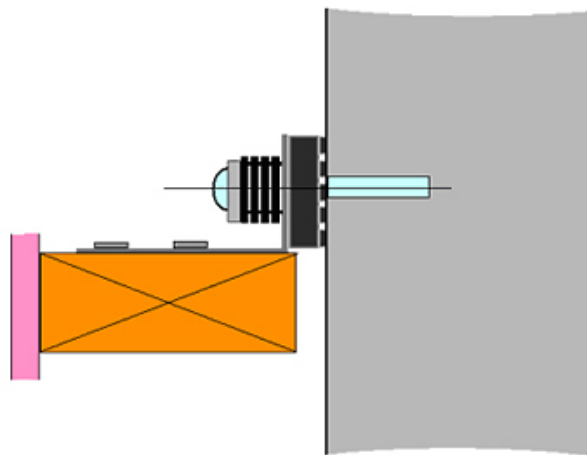


# RSIC-DC04™ RESILIENT SOUND ISOLATION CLIP

## RSIC-DC04

### *Resilient Sound Isolation DeCouple Clip*

The RSIC-DC04™ and RSIC-DC04X2™ are very versatile products. The most common use is the decoupling of wall systems. The design of the RSIC-DC04™ can be used in new construction or retrofit. The RSIC-DC04X2™ is twice as strong as the RSIC-DC04™ for use when heavy items need to be acoustically decoupled for noise isolation. Below are some examples of the possible uses for the RSIC-DC04™.



*De-coupled Wall System*

Acoustical Surfaces, Inc.  
A Master Distributor for  
PAC INTERNATIONAL, INC.



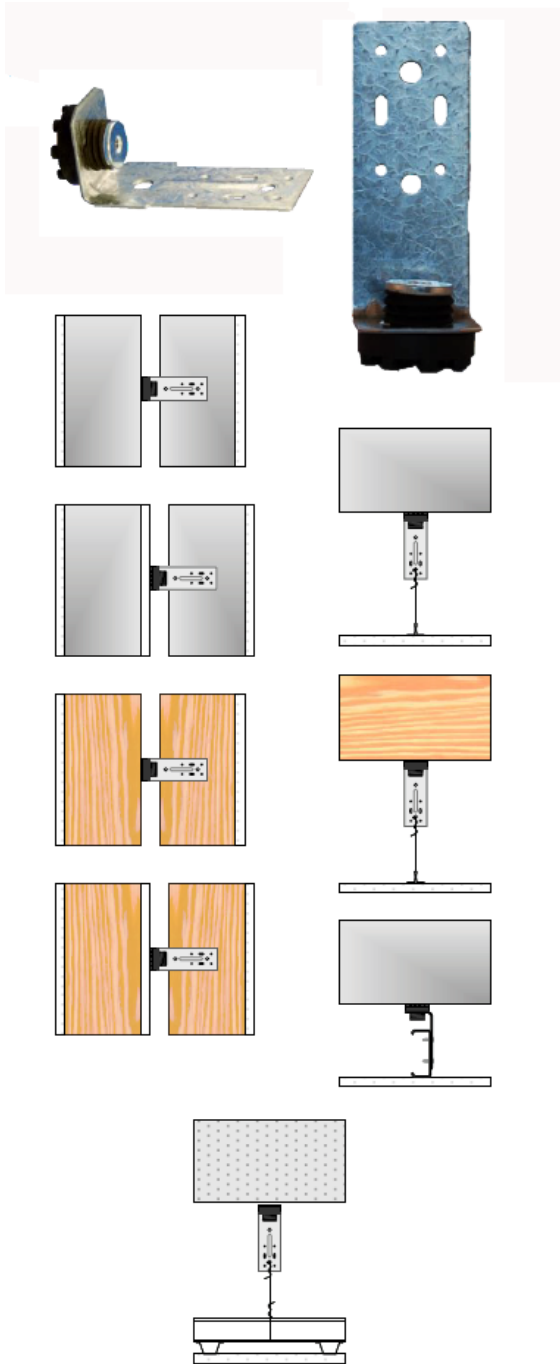
**ACOUSTICAL | SURFACES, INC.**

PAGE 1

*Celebrating Over 40 Years - SOUNDPROOFING, ACOUSTICS, NOISE & VIBRATION SPECIALISTS!*  
952.448.5300 | 800.448.0121 | sales@acousticalsurfaces.com | www.acousticalsurfaces.com

# RSIC-DC04™ RESILIENT SOUND ISOLATION CLIP

## RSIC-DC04



### APPLICATIONS

Wood, steel, metal deck, concrete, apartment, condo, commercial, retail, recording studio, home theater, commercial theater, conference rooms.

### ACOUSTICAL DESIGN LOAD

36 Lbs.

### TOTAL DEFLECTION

3 mm

### DOUBLE DEFLECTION

Yes (1.5 mm)

### MADE WITH RECYCLED CONTENT

Yes

### LOW VOC TREATED

Yes

### ADJUSTABLE

4" screw flange

### CAVITY MIN

1/2"

### CAVITY MAX

4-1/2"

### ADJUSTABLE LIMIT

4"

### USE ON CEILINGS

Yes

### USE ON WALLS

Yes

### NEW CONSTRUCTION

Yes

### RETRO FIT

Yes

### Additional Information Can be Found at:

[https://www.acousticalsurfaces.com/rsic\\_clips/rsic\\_dc04.htm](https://www.acousticalsurfaces.com/rsic_clips/rsic_dc04.htm)

STOP NOISE

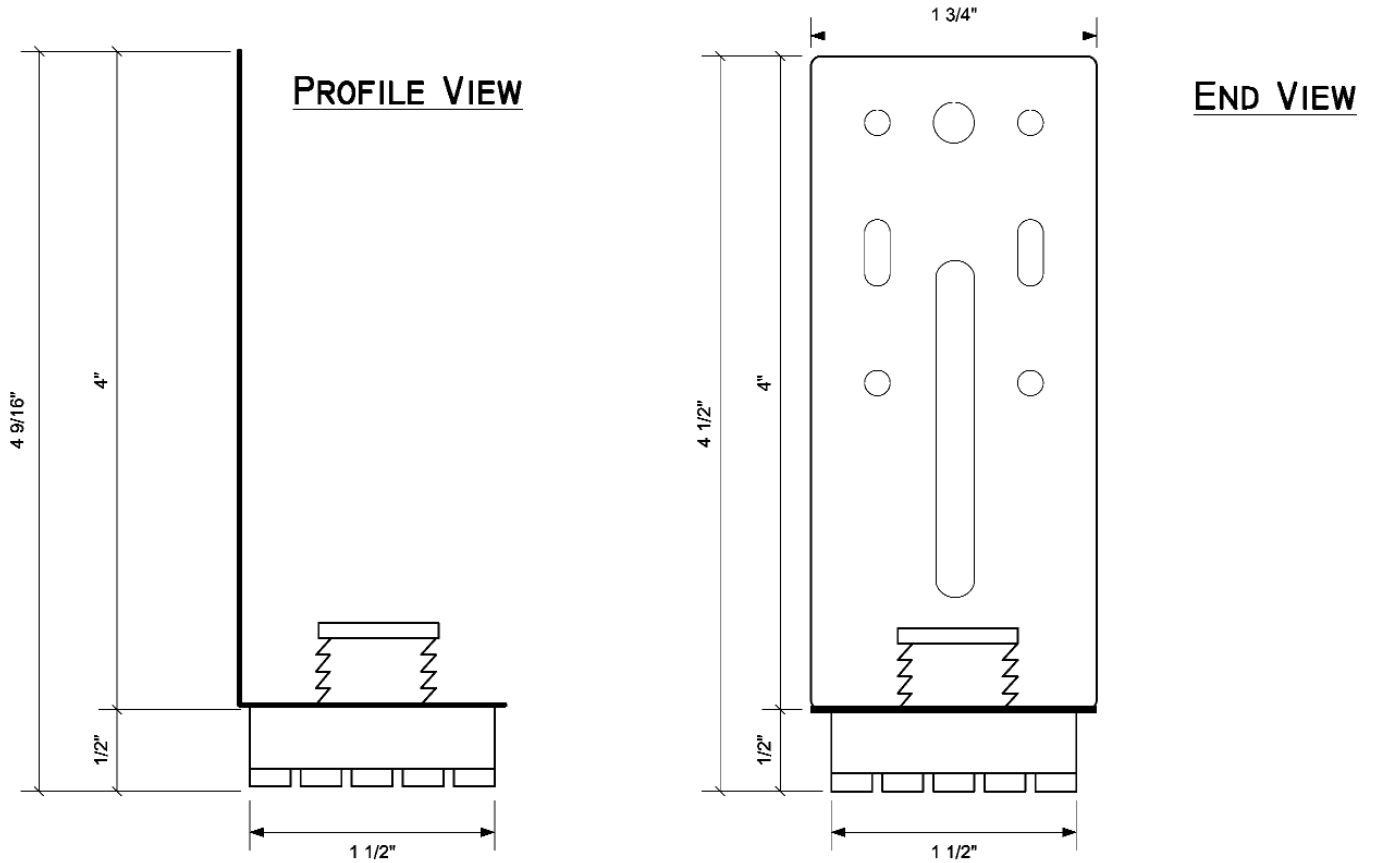
ACOUSTICAL | SURFACES, INC.

PAGE 2

Celebrating Over 40 Years - SOUNDPROOFING, ACOUSTICS, NOISE & VIBRATION SPECIALISTS  
952.448.5300 | 800.448.0121 | sales@acousticalsurfaces.com | www.acousticalsurfaces.com

# RSIC-DC04™ RESILIENT SOUND ISOLATION CLIP

## RSIC-DC04 Clip Dimensions



**ACOUSTICAL** | SURFACES, INC.

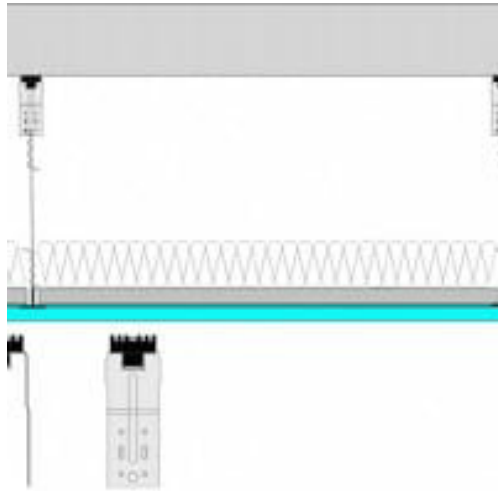
PAGE 3

*Celebrating Over 40 Years - SOUNDPROOFING, ACOUSTICS, NOISE & VIBRATION SPECIALISTS!*  
952.448.5300 | 800.448.0121 | sales@acousticalsurfaces.com | www.acousticalsurfaces.com

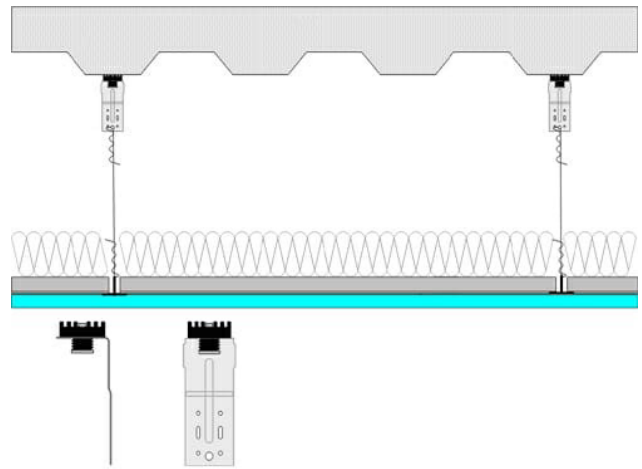
# RSIC-DC04™ RESILIENT SOUND ISOLATION CLIP

## RSIC-DC04 – Low Profile Wall Systems

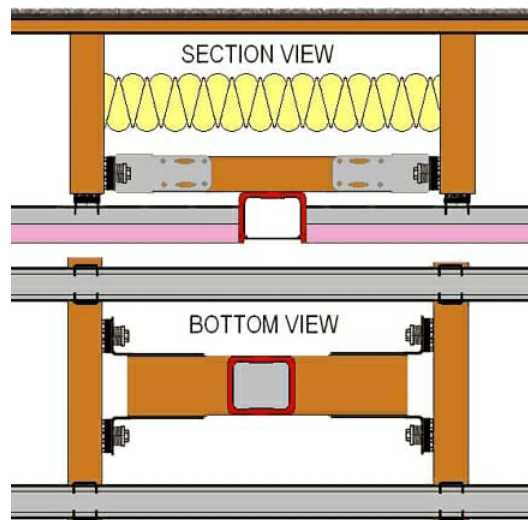
### *Dropped Resilient Ceiling*



*Dropped Ceiling*



*Dropped Ceiling Slab*



*144 Lb. Ceiling Fan -  
Electrical Box isolation*



STOP NOISE

ACOUSTICAL | SURFACES, INC.

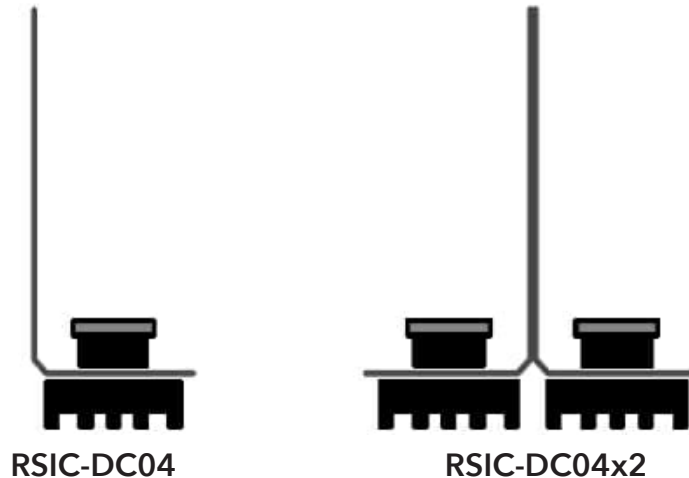
PAGE 4

*Celebrating Over 40 Years - SOUNDPROOFING, ACOUSTICS, NOISE & VIBRATION SPECIALISTS!*  
952.448.5300 | 800.448.0121 | sales@acousticalsurfaces.com | www.acousticalsurfaces.com

# RSIC-DC04™ RESILIENT SOUND ISOLATION CLIP

## RSIC-DC04 – Low Profile Wall Systems

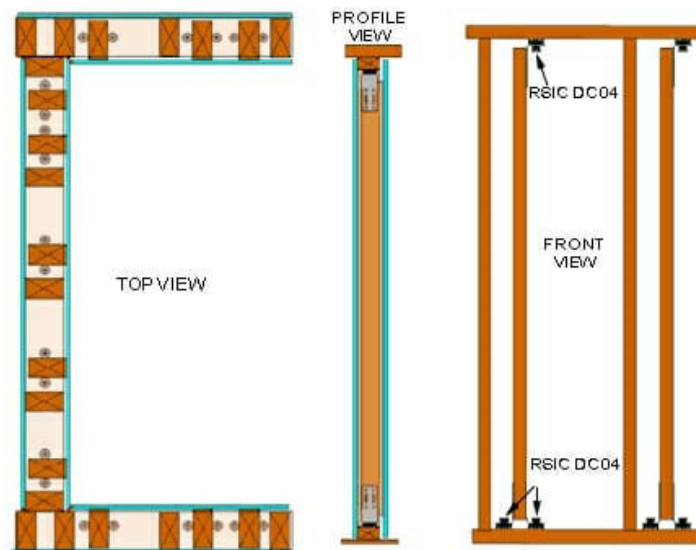
*Decoupled Connector for Isolating Walls Built Within Another Wall*



**Note:** The RSIC-DC04™ and RSIC-DC04X2™ are not designed to carry structural loads. The RSIC-DC04™ and RSIC-DC04x2™ are intended to support the loads of gypsum board and uniform loads only. Focused loads and point loads must be engineered by a licensed professional.

### RSIC-DC04™ Low Profile Wall System (Standard Duty)

The RSIC-DC04™ Low Profile Wall System Standard Duty consists of two RSIC-DC04™ clips supporting the bottom of each Stud, and one RSIC-DC04™ supporting the top of each stud.



**ACOUSTICAL** | SURFACES, INC.

PAGE 5

*Celebrating Over 40 Years - SOUNDPROOFING, ACOUSTICS, NOISE & VIBRATION SPECIALISTS!*  
952.448.5300 | 800.448.0121 | sales@acousticalsurfaces.com | www.acousticalsurfaces.com

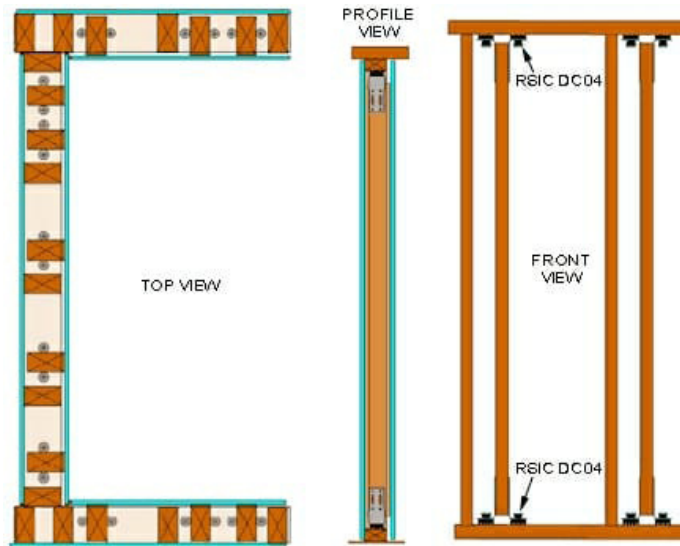
# RSIC-DC04™ RESILIENT SOUND ISOLATION CLIP

## RSIC-DC04 – Low Profile Wall Systems Cont.

### *Decoupled Connector for Isolating Walls Built Within Another Wall*

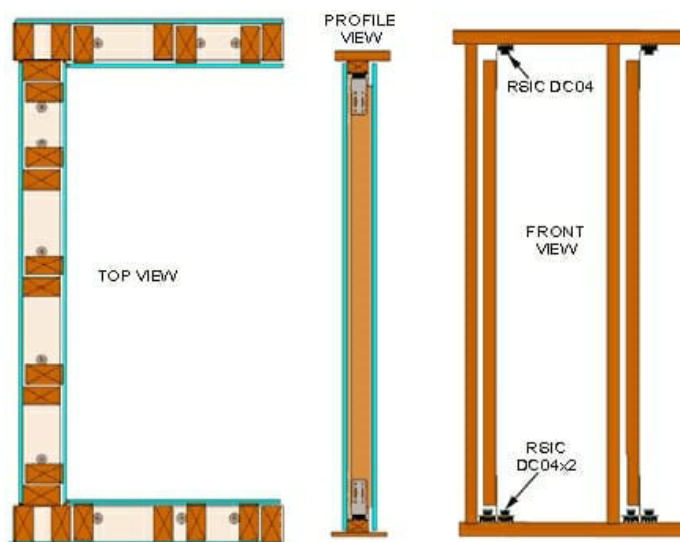
#### RSIC-DC04™ Low Profile Wall System (Heavy Duty)

The RSIC-DC04™ Low Profile Wall System Heavy Duty consists of two RSIC-DC04™ clips supporting the bottom of each Stud, and two RSIC-DC04™ supporting the top of each stud.



#### RSIC-DC04™ Low Profile Wall System (Standard Duty) RSIC-DC04X2™ Design

The RSIC-DC04X2™ Low Profile Wall System Standard Duty consists of one RSIC-DC04X2™ clips supporting the bottom of each Stud, and one RSIC-DC04™ supporting the top of each stud.



**ACOUSTICAL** | SURFACES, INC.

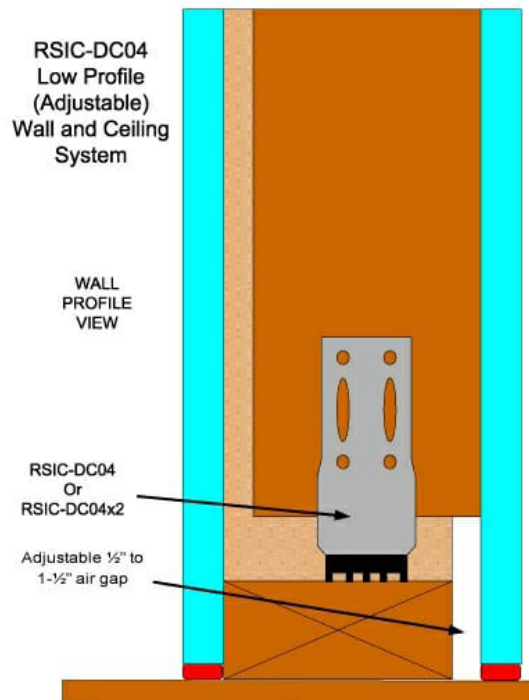
PAGE 6

*Celebrating Over 40 Years - SOUNDPROOFING, ACOUSTICS, NOISE & VIBRATION SPECIALISTS!*  
952.448.5300 | 800.448.0121 | sales@acousticalsurfaces.com | www.acousticalsurfaces.com

# RSIC-DC04™ RESILIENT SOUND ISOLATION CLIP

## RSIC-DC04 – Low Profile Wall Systems Cont.

*Decoupled Connector for Isolating Walls Built Within Another Wall*



STOP NOISE

ACOUSTICAL | SURFACES, INC.

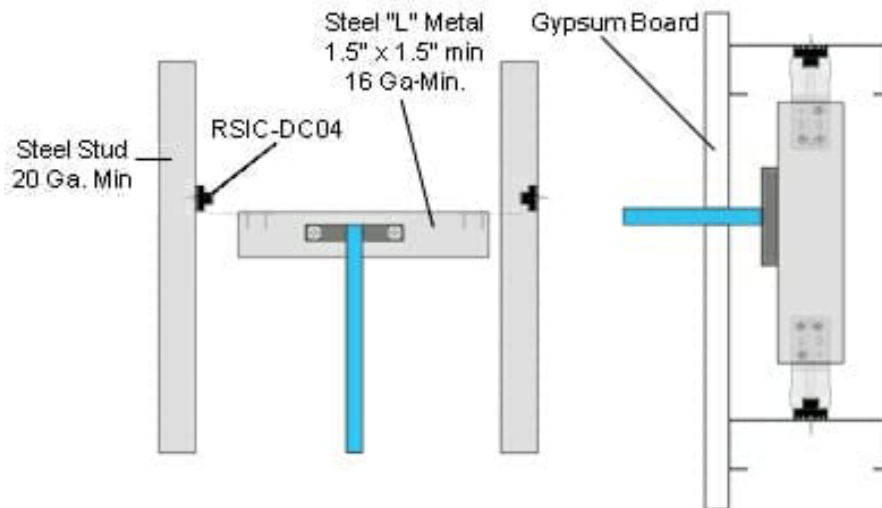
PAGE 7

*Celebrating Over 40 Years - SOUNDPROOFING, ACOUSTICS, NOISE & VIBRATION SPECIALISTS!*  
952.448.5300 | 800.448.0121 | sales@acousticalsurfaces.com | www.acousticalsurfaces.com

# RSIC-DC04™ RESILIENT SOUND ISOLATION CLIP

## RSIC-DC04 – Shower/Plumbing Isolator

### *Shower Pipe/Plumbing Isolator*



**ACOUSTICAL** | SURFACES, INC.

PAGE 8

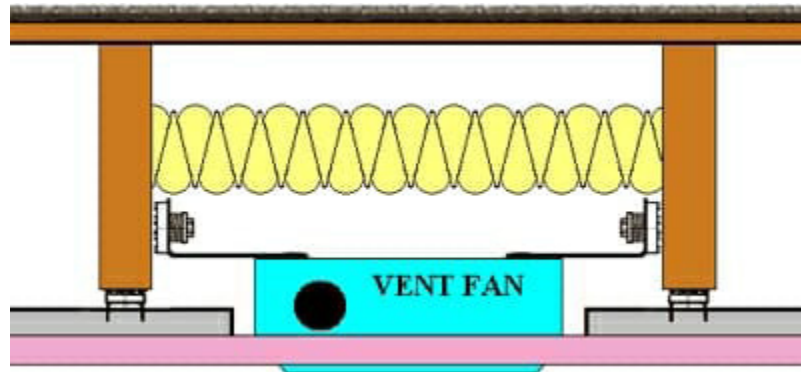
*Celebrating Over 40 Years - SOUNDPROOFING, ACOUSTICS, NOISE & VIBRATION SPECIALISTS!*  
952.448.5300 | 800.448.0121 | sales@acousticalsurfaces.com | www.acousticalsurfaces.com



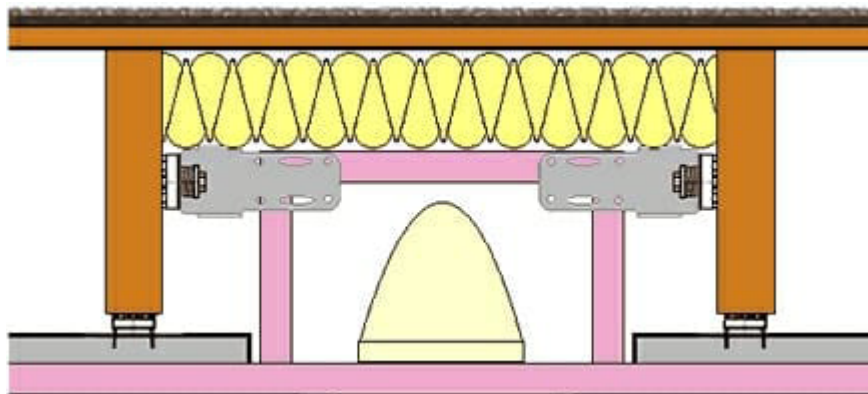
# RSIC-DC04™ RESILIENT SOUND ISOLATION CLIP

## RSIC-DC04 – Recessed Lighting/Ceiling Vent Fan

*Vent Fan Isolators/Recessed Lighting Isolators*



*Vent Fan*



*Recessed Light Assembly*



**ACOUSTICAL** | SURFACES, INC.

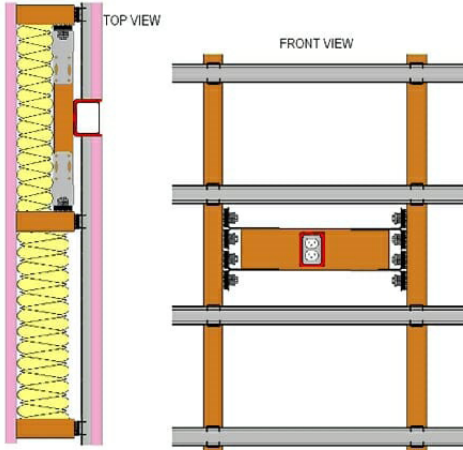
PAGE 9

*Celebrating Over 40 Years - SOUNDPROOFING, ACOUSTICS, NOISE & VIBRATION SPECIALISTS!*  
952.448.5300 | 800.448.0121 | sales@acousticalsurfaces.com | www.acousticalsurfaces.com

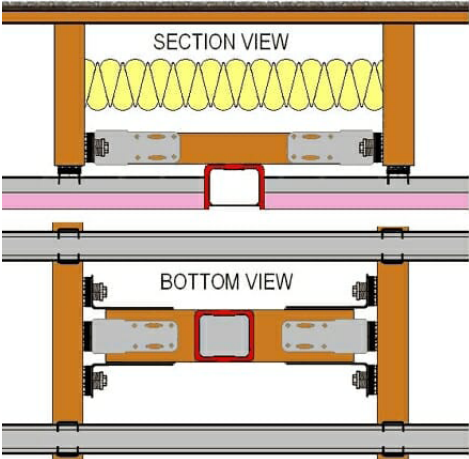
# RSIC-DC04™ RESILIENT SOUND ISOLATION CLIP

## RSIC-DC04 – Electrical Boxes/ Ceiling Mounted Lights

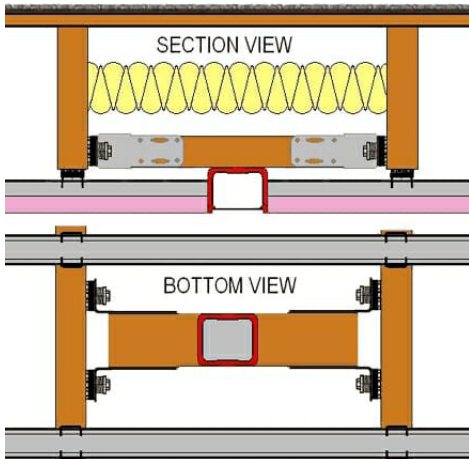
*Electrical Box or Ceiling Fan Isolators*



*Wall Electrical Box Isolation*



*216LB Ceiling Fan - Electrical Box Isolation*



*144LB Ceiling Fan - Electrical Box Isolation*

