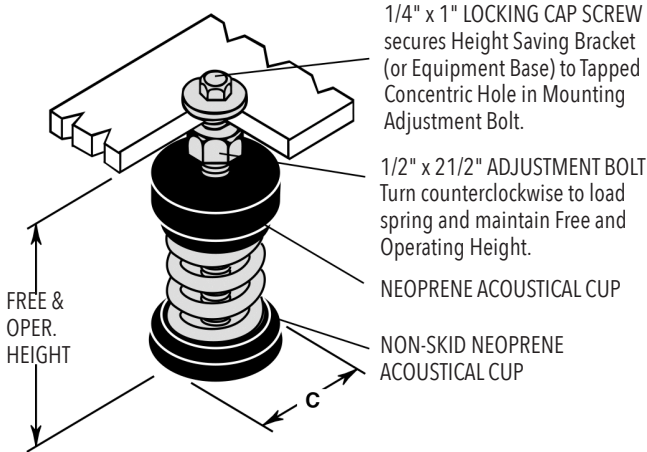
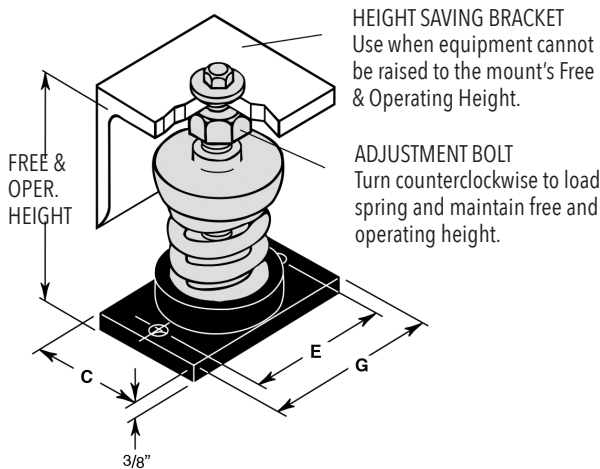


# SLF & SLFH Unhoused Spring Mounts

## SLF - UNHOUSED SPRING MOUNT



## SLFH - UNHOUSED SPRING MOUNT



## HEIGHT SAVING BRACKET



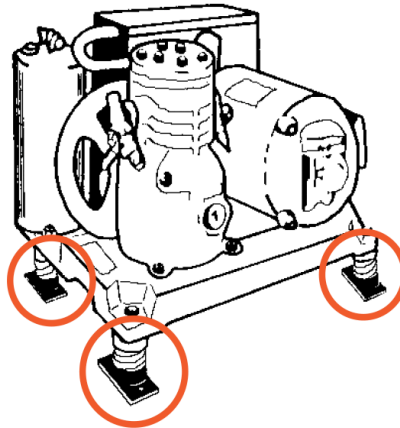
SLF & SLFH Unhoused Spring Mounts provide the greatest deflection – up to 2" to ensure excellent isolation. The vibration isolation mounts are used to support equipment located on upper building levels where there are wide vibration sensitive spans. For outdoor applications where wind loads may affect lateral stability, see SLR or SLRH restrained spring mounts.

SLF one inch deflection spring mounts provide far greater vibration control than the lower deflection neoprene mounts. Each powder coated steel spring is in series with neoprene, providing excellent isolation efficiency. The SLFH's spring serves to isolate a broad range of disturbing vibration frequencies, while the rubber is a high frequency or noise break. Start and stop as well as horizontal wind force will require the use of C, SLR or SSLFH Type mounts that have built-in horizontal limits.

SLFH two inch deflection spring mounts are for use on equipment located on upper level wide building spans, where more than one inch of deflection is needed to cancel the effect of the building span's deflection. Two inch deflection springs use the same holders as one inch springs.

## INSTALLATION

Block up equipment to the manufacturer's vibration isolation mount's required free and operating height (see tables page 2), then make connections to the unit. Position mounts under unit. Take two turns on each adjustment bolt working around the unit until springs are compressed just enough to remove blocks. Do not "jack up" equipment significantly during spring adjustment. All springs have additional travel to solid equal to 50% of the rated deflection except SLFH-B2-450, which has 38% at rated capacity.



**ACOUSTICAL | SURFACES, INC.**

PAGE 1

*Celebrating Over 40 Years - SOUNDPROOFING, ACOUSTICS, NOISE & VIBRATION SPECIALISTS!*

952.448.5300 | 800.448.0121 | sales@acousticalsurfaces.com | www.acousticalsurfaces.com

# SLF & SLFH Unhoused Spring Mounts

## SLF 1" DEFLECTION UNHOUSED SPRING MOUNTS

Type & Size	Rated Capacity	Rated Deflection	Mount Constant	Spring Color/Stripe	Dimensions	
					A	Free & Oper. Height
SLF-X-12	12 lbs	1.25"	10 lbs/in	Orange	2"	3-3/4"
SLF-X-23	23 lbs	1.30"	18 lbs/in	Brown		
SLF-X-33	33 lbs	1.10"	30 lbs/in	Red		
SLF-X-54	54 lbs	1.20"	45 lbs/in	White		
SLF-X-76	76 lbs	1.02"	73 lbs/in	Black		
SLF-X-113	113 lbs	1.00"	113 lbs/in	Yellow		
SLF-X-130	130 lbs	1.00"	130 lbs/in	Purple		
SLF-X-175	175 lbs	1.00"	175 lbs/in	Silver		
SLF-X-210	210 lbs	1.00"	210 lbs/in	Blue		

3/4" Minimum Deflection\*

## SLFH 1" UNHOUSED SPRING MOUNTS

Type & Size	Rated Capacity	Rated Deflection	Mount Constant	Spring Color/Stripe	Dimensions			
					C	E	G	Free & Oper. Height
SLFH-A-45	45 lbs	1.60"	28 lbs/in	Blue	2-1/4"	3"	3-5/8"	4-1/4"
SLFH-A-75	75 lbs	1.50"	50 lbs/in	Orange				
SLFH-A-125	125 lbs	1.33"	94 lbs/in	Brown				
SLFH-A-200	200 lbs	1.15"	174 lbs/in	Black				
SLFH-A-310	310 lbs	1.00"	310 lbs/in	Yellow				
SLFH-A-400	400 lbs	1.00"	400 lbs/in	Green				
SLFH-A-510	510 lbs	1.00"	510 lbs/in	Red	2-1/4"	3"	3-5/8"	4-5/8"
SLFH-A-625	625 lbs	1.00"	625 lbs/in	White				

1-1/2" Minimum Deflection\*

## SLFH 2" UNHOUSED SPRING MOUNTS

Type & Size	Rated Capacity	Rated Deflection	Mount Constant	Spring Color/Stripe	Dimensions			
					C	E	G	Free & Oper Height
SLFH-B-20	20 lbs	2.40"	8 lbs/in	Tan	2-3/4"	4-1/4"	5-1/8"	6"
SLFH-B-26	26 lbs	2.18"	12 lbs/in	White/Blue				
SLFH-B-35	35 lbs	2.20"	16 lbs/in	Purple				
SLFH-B-50	50 lbs	2.20"	24 lbs/in	White/Red				
SLFH-B-65	65 lbs	2.10"	31 lbs/in	Brown				
SLFH-B-85	85 lbs	2.10"	40 lbs/in	White/Black				
SLFH-B-115	115 lbs	2.00"	57 lbs/in	Silver				
SLFH-B-150	150 lbs	2.00"	75 lbs/in	Orange				
SLFH-B2-210	210 lbs	2.12"	99 lbs/in	Silver				
SLFH-B2-290	290 lbs	2.00"	144 lbs/in	Blue				
SLFH-B2-450	450 lbs	2.00"	224 lbs/in	Tan				

1-1/2" Minimum Deflection\*



**ACOUSTICAL | SURFACES, INC.**

PAGE 2

*Celebrating Over 40 Years - SOUNDPROOFING, ACOUSTICS, NOISE & VIBRATION SPECIALISTS!*

952.448.5300 | 800.448.0121 | sales@acousticalsurfaces.com | www.acousticalsurfaces.com