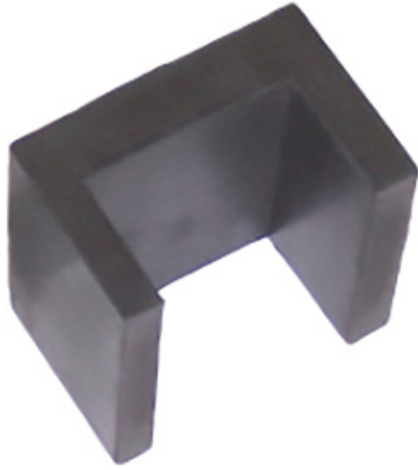


Stud/Beam Isolators



Rubber Stud Isolators are an affordable and effective way to decouple walls and ceilings. Simply attach this rubber stud isolator to studs and continue construction and experience improved performance to any construction method.

FEATURES & BENEFITS

- Compact
- Easily Installed
- Cost Effective

MATERIAL

Extruded rubber.

FEATURES

Extruded shape to fit wood beams & studs.

APPLICATIONS

Floor/ceiling wood beam isolators, wood stud isolation.

THICKNESS

2-1/8" wide x 1-1/2" high x 2" long.

CARTON SIZE

50 pcs/online order, 25 pcs, 100 pcs.

COLOR

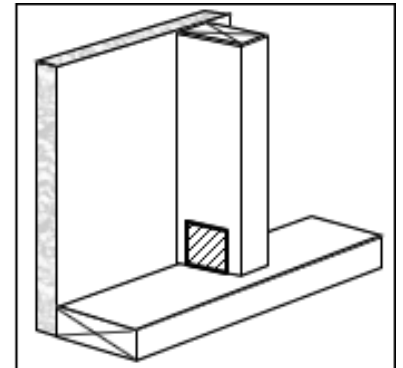
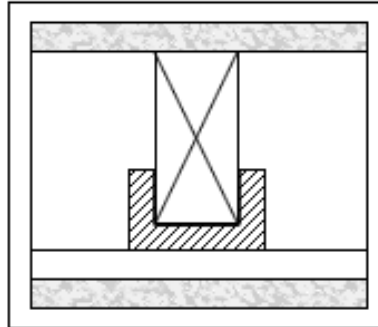
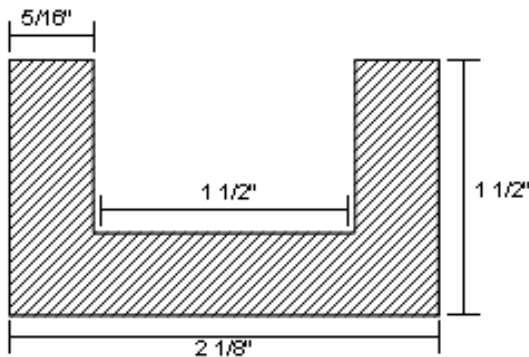
Black.

INSTALLATION

Friction fit over stud/beam faces - Install 16" o.c.

Test Reports & Additional Information Can be Found at:

https://www.acousticalsurfaces.com/vibration_mounts/studbeam.htm



ACOUSTICAL | SURFACES, INC.

Celebrating Over 40 Years - SOUNDPROOFING, ACOUSTICS, NOISE & VIBRATION SPECIALISTS!

952.448.5300 | 800.448.0121 | sales@acousticalsurfaces.com | www.acousticalsurfaces.com